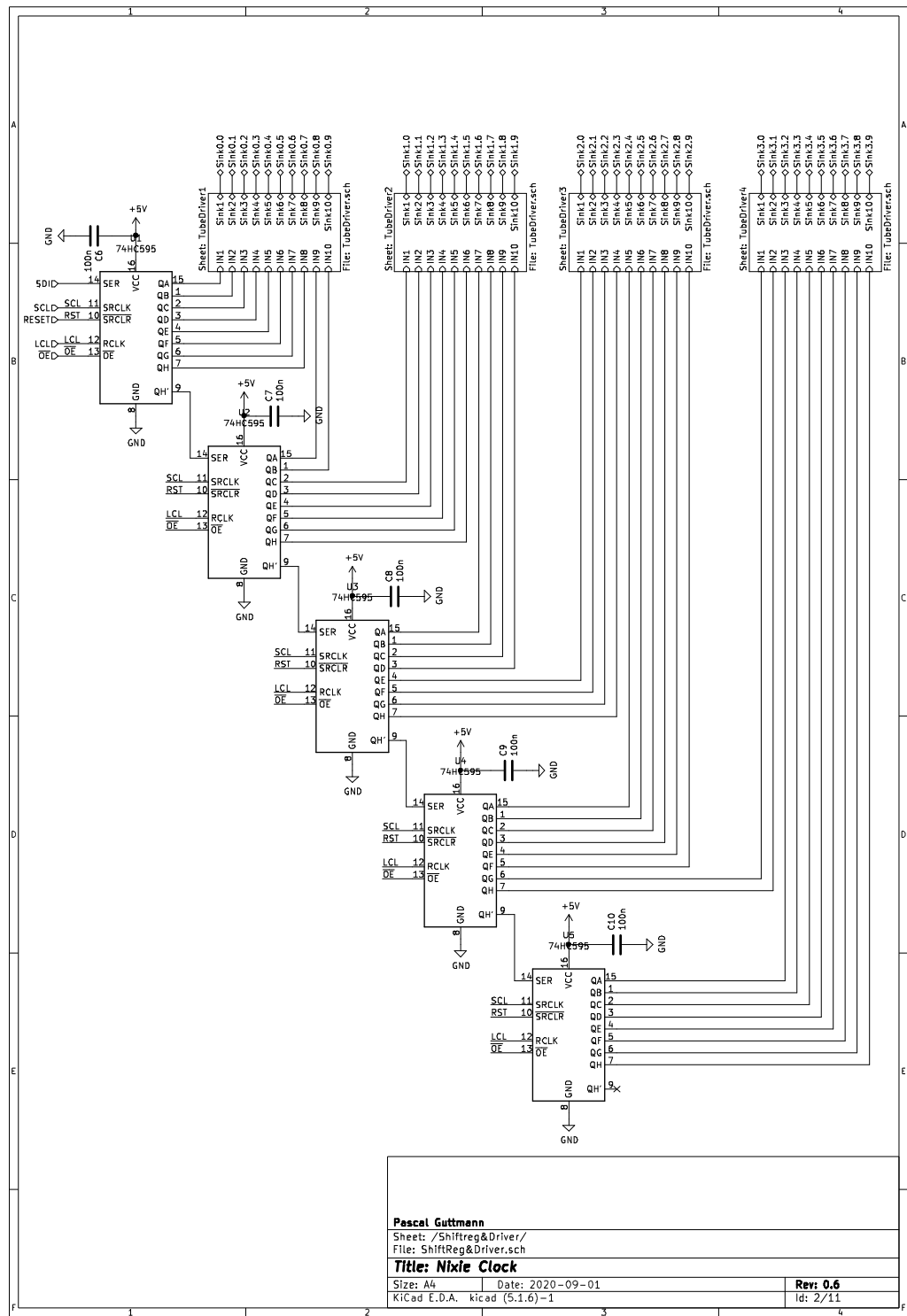


Pascal Guttman	
Sheet: /	
File: 200119_NixieClock_KiCad.sch	
Title: Nixie Clock	
Size: A4	Date: 2021-02-01
KiCad E.D.A. kicad (5.1.6)-1	Rev: 2.0
	Id: 1/11

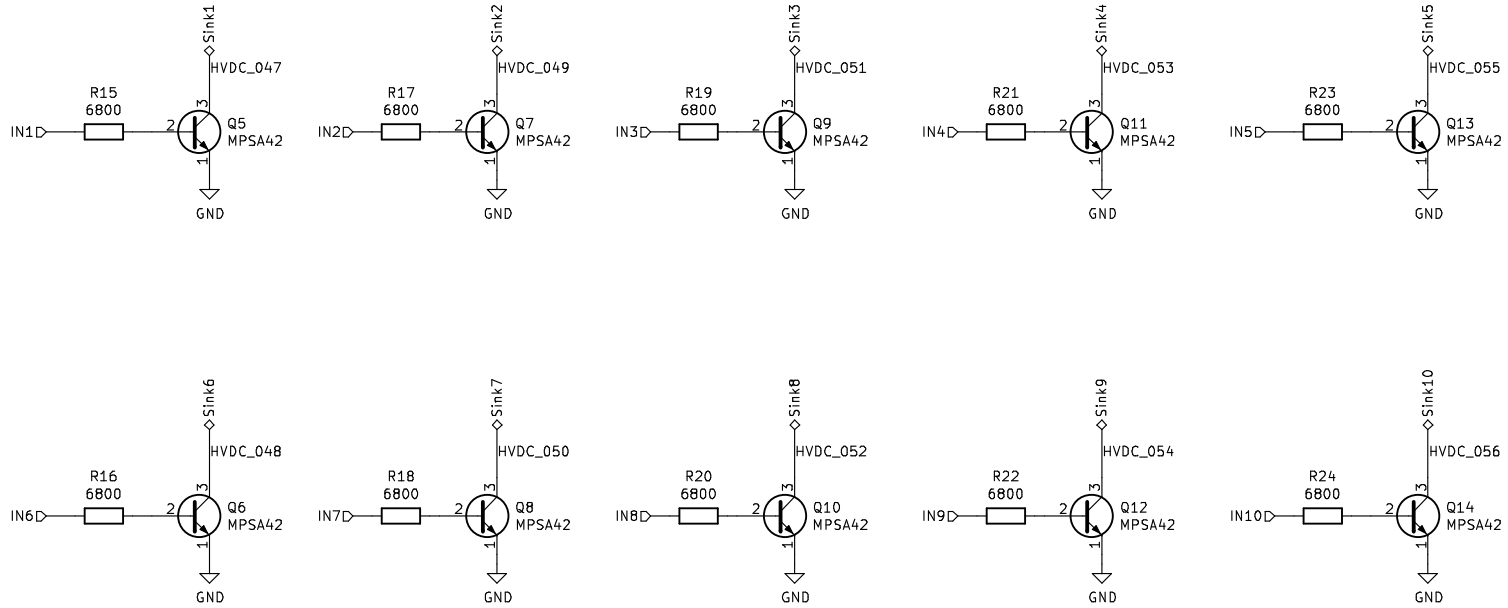


Pascal Guttmann
 Sheet: /ShiftReg&Driver/
 File: ShiftReg&Driver.sch
Title: Nixie Clock

Size: A4 Date: 2020-09-01
 KiCad E.D.A. kicad (5.1.6)-1

Rev: 0.6
 Id: 2/11

4,3V to 4,5V logic from Shiftreg
 $0.9V V_{be(sat)}$
 $h_{fe(sat)} = 10$
 $I_c \text{ auf } 5mA \rightarrow I_b = 0,5mA \rightarrow 6800R$



Pascal Guttmann

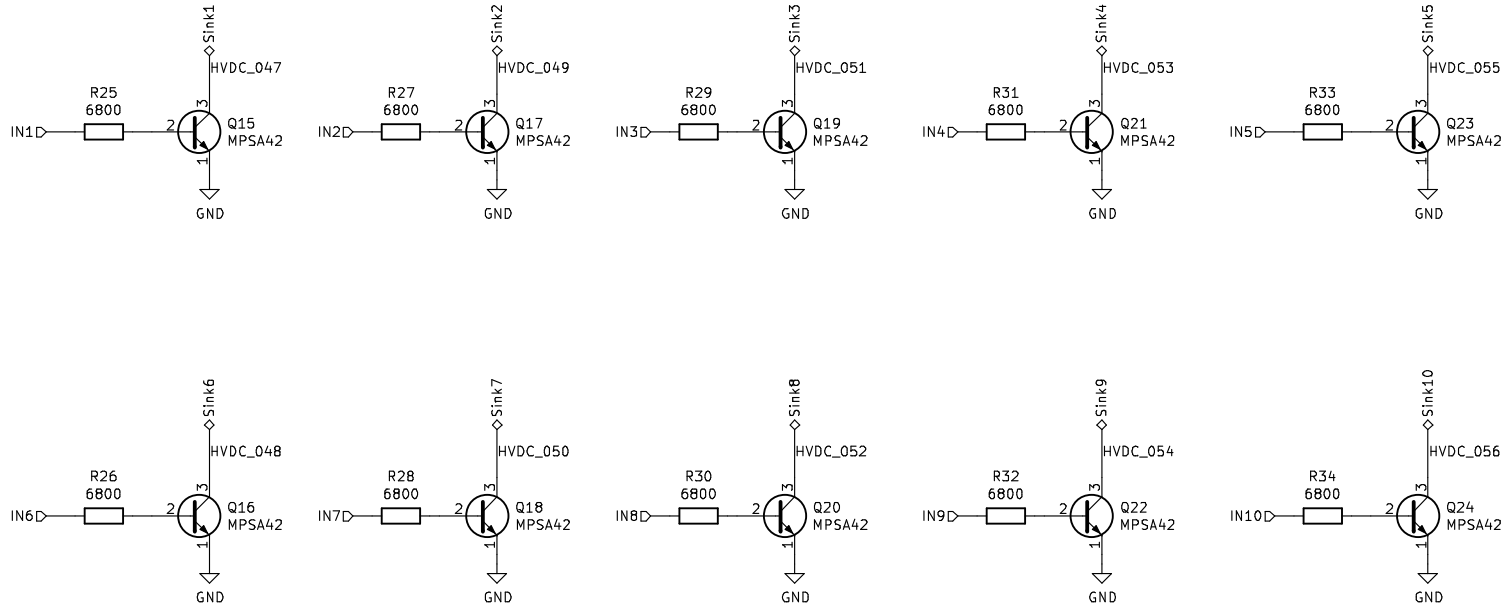
Sheet: /Shiftreg&Driver/TubeDriver1/
 File: TubeDriver.sch

Title: Nixie Clock

Size: A4 Date: 2020-09-01
 KiCad E.D.A. kicad (5.1.6)-1

Rev: 0.6
 Id: 3/11

4,3V to 4,5V logic from Shiftreg
 $0.9V V_{be(sat)}$
 $h_{fe(sat)} = 10$
 $I_c \text{ auf } 5\text{mA} \rightarrow I_b = 0,5\text{mA} \rightarrow 6800R$



Pascal Guttmann

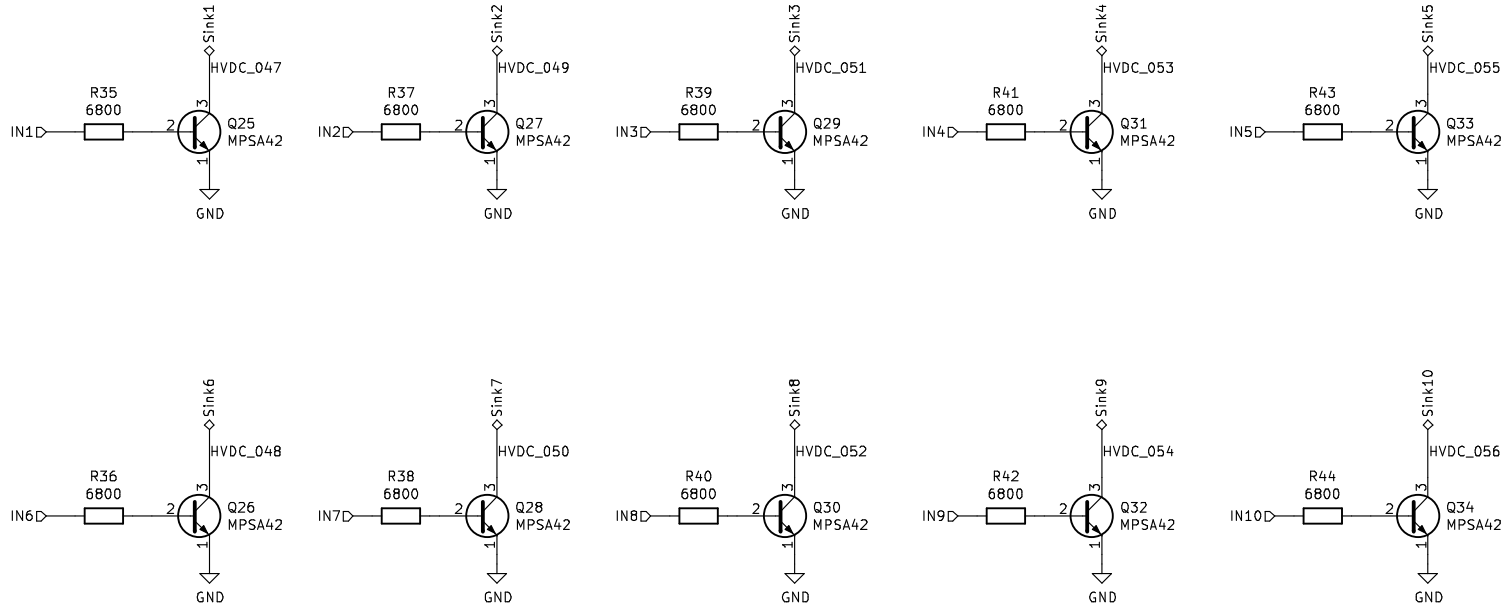
Sheet: /Shiftreg&Driver/TubeDriver2/
 File: TubeDriver.sch

Title: Nixie Clock

Size: A4 Date: 2020-09-01
 KiCad E.D.A. kicad (5.1.6)-1

Rev: 0.6
 Id: 4/11

4,3V to 4,5V logic from Shiftreg
 $0,9V V_{be(sat)}$
 $h_{fe(sat)} = 10$
 $I_c \text{ auf } 5mA \rightarrow I_b = 0,5mA \rightarrow 6800R$



Pascal Guttmann

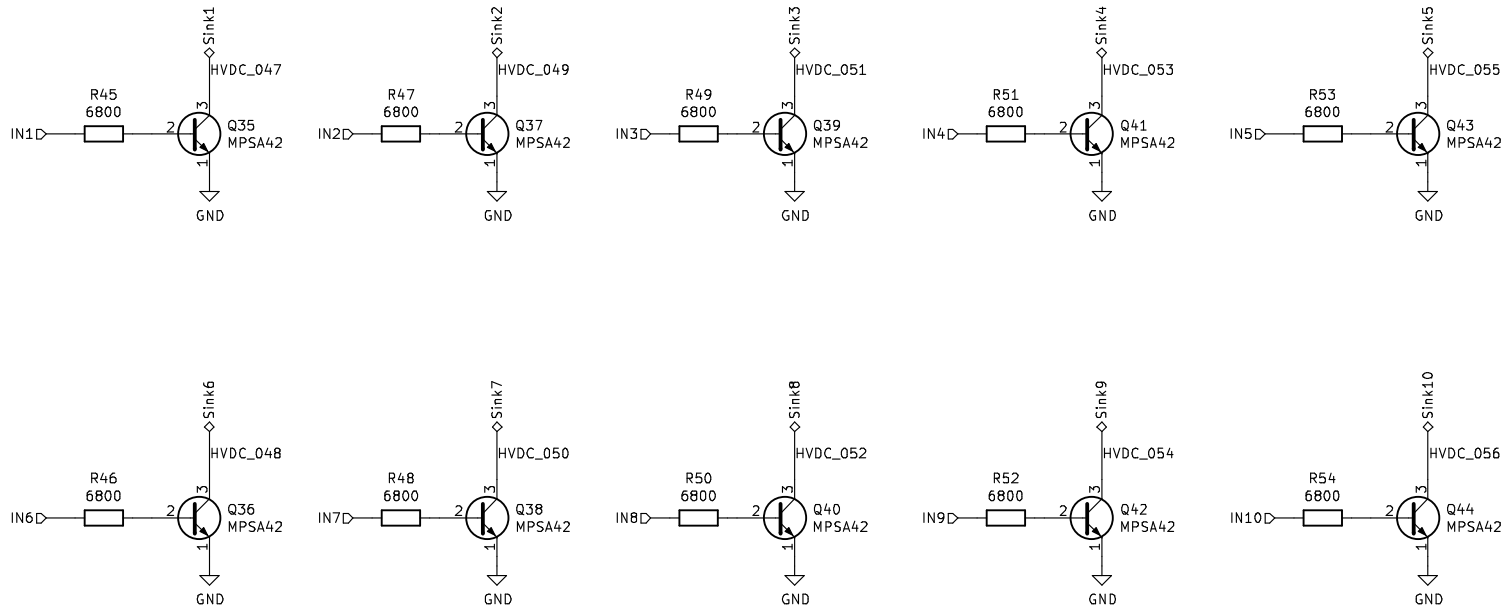
Sheet: /Shiftreg&Driver/TubeDriver3/
 File: TubeDriver.sch

Title: Nixie Clock

Size: A4 Date: 2020-09-01
 KiCad E.D.A. kicad (5.1.6)-1

Rev: 0.6
 Id: 5/11

4.3V to 4.5V logic from Shiftreg
 $0.9V V_{be(sat)}$
 $h_{fe(sat)} = 10$
 $I_c \text{ auf } 5mA \rightarrow I_b = 0.5mA \rightarrow 6800R$



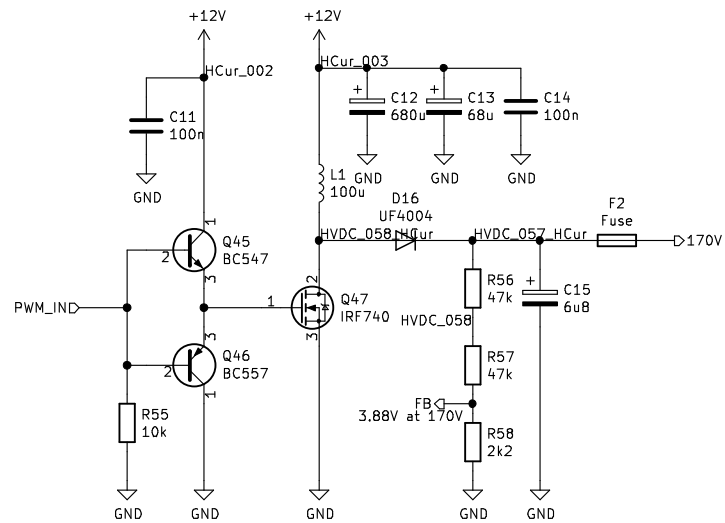
Pascal Guttmann

Sheet: /Shiftreg&Driver/TubeDriver4/
 File: TubeDriver.sch

Title: Nixie Clock

Size: A4 Date: 2020-09-01
 KiCad E.D.A. kicad (5.1.6)-1

Rev: 0.6
 Id: 6/11



Pascal Guttmann

Sheet: /Boost Converter/
File: BoostConverter.sch

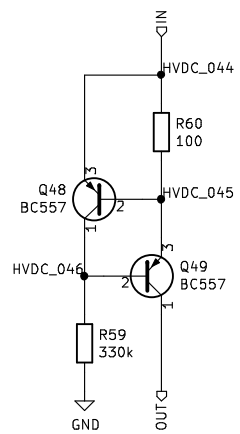
Title: Nixie Clock

Size: A4 Date: 2020-09-01

KiCad E.D.A. kicad (5.1.6)-1

Rev: 0.6

Id: 7/11



Pascal Guttmann

Sheet: /constCurrent1/
File: constCurrent.sch

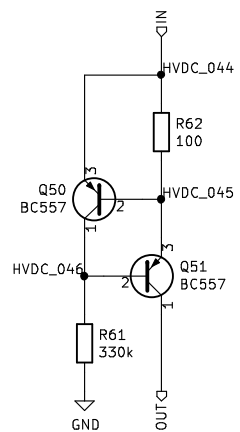
Title: Nixie Clock

Size: A4 Date: 2020-09-01

KiCad E.D.A. kicad (5.1.6)-1

Rev: 0.6

Id: 8/11



Pascal Guttmann

Sheet: /constCurrent2/

File: constCurrent.sch

Title: Nixie Clock

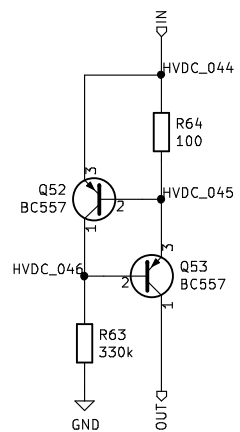
Size: A4

Date: 2020-09-01

Rev: 0.6

KiCad E.D.A. kicad (5.1.6)-1

Id: 9/11



Pascal Guttmann

Sheet: /constCurrent3/

File: constCurrent.sch

Title: Nixie Clock

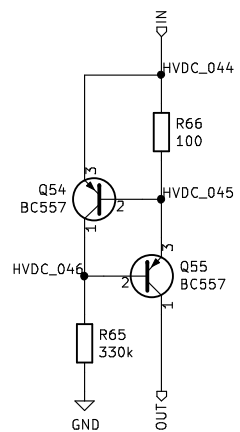
Size: A4

Date: 2020-09-01

Rev: 0.6

KiCad E.D.A. kicad (5.1.6)-1

Id: 10/11



Pascal Guttmann

Sheet: /constCurrent4/

File: constCurrent.sch

Title: Nixie Clock

Size: A4

Date: 2020-09-01

Rev: 0.6

KiCad E.D.A. kicad (5.1.6)-1

Id: 11/11